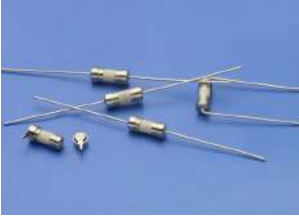
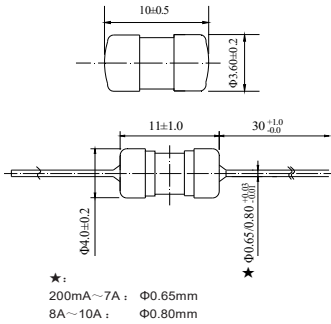


# 334 Subminiature Cartridge Fuse



Dimensions (unit: mm)



## Main Characteristics

Subminiature cartridge fuse; Time-Lag (T) Standard

IEC-60127-3/IV

## Materials

Tube: Ceramic Tube  
End Caps: Nickel plated brass  
Axial Leads: Nickel plated caps  
Tin plated copper wires

## Operating Temperature

-55°C to +125°C

## Storage Conditions

+10°C to +60°C  
Relative humidity: ≤75% yearly average  
Without dew, maximum 30 days at 95%

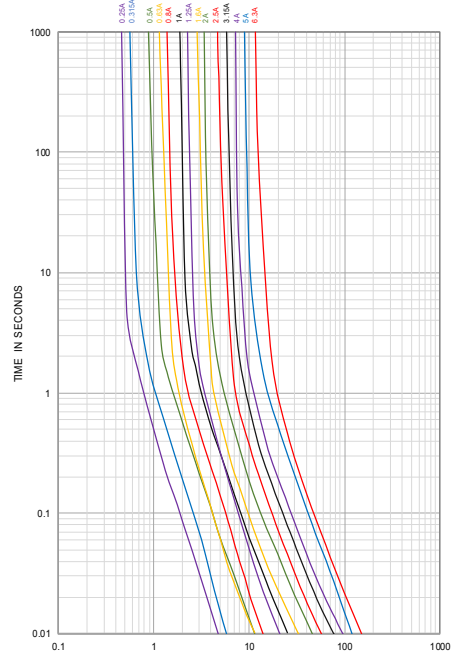
## Vibration Resistance

24 cycles at 15 min. each (60068-6)  
10-60Hz at 0.75mm amplitude  
60-2000Hz at 10g acceleration

## Soldering Parameters

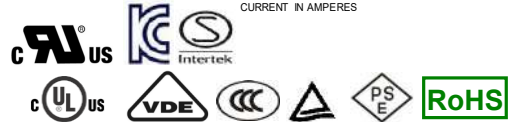
260°C. ≤5 sec (Wave Soldering)  
350°C. ≤3 sec (Hand Soldering)  
Soldering Peak:  
260°C. 10 sec. (IEC 60068-20)

Average Time Current (I-T Curve)



Time vs Current Characteristics: IEC-60127-3/IV

Rated current	150%	210%	275%	400%	1000%
200mA~6.3A	>1h	<2min	400ms~10s	150ms~3s	20ms~150ms
8A~10A	>1h	<5min	1s~20s	150ms~3s	20ms~150ms



## Electrical Characteristics at 25°C

Amp	Rated Current	Rated Voltage	Max Voltage Drop (mV)	Max. Power Dissipation (mW)	Typical Cold Resistance (mΩ)	Nominal Melting I <sup>2</sup> t (A <sup>2</sup> sec)	Breaking Capacity	Approvals							
								cULus	cURus	VDE	CCC	TUV	PSE	KC	SEMKO
0200	200mA	250V AC	260	200	860	0.130	50A@125V AC 35A or 10In@250V AC	○	○	○	○	●	○	○	○
0250	250mA		240	220	600	0.221		●	●	○	●	●	○	○	○
0315	315mA		220	250	430	0.336		●	●	○	○	○	○	○	
0500	500mA		190	310	250	1.00		●	●	●	●	○	○	○	○
0630	630mA		180	360	154.5	1.35		●	●	●	●	○	○	○	○
0750	750mA		170	430	154.5	1.82		●	●	○	○	○	○	○	○
0800	800mA		160	430	113	1.56		●	●	○	○	○	○	○	○
1100	1.00A		140	500	80.0	6.50		●	●	●	○	●	●	●	●
1125	1.25A		130	600	56.0	4.62		●	●	●	○	●	●	●	●
1150	1.50A		120	730	43.0	10.6		●	●	○	○	○	○	○	○
1160	1.60A		120	730	41.0	10.9		●	●	●	○	●	●	●	●
1200	2.00A		100	870	38.0	20.3		●	●	●	○	●	●	●	●
1250	2.50A		100	1000	28.0	32.5		●	●	●	○	●	●	●	●
1300	3.00A		100	1200	17.0	59.3		●	●	●	○	○	○	○	○
1315	3.15A		100	1200	18.4	63.0		●	●	●	○	○	○	○	○
1400	4.00A		100	1400	13.5	94.1		●	●	●	○	●	●	●	●
1500	5.00A		100	1400	10.3	121		●	●	○	○	●	●	●	●
1630	6.30A		100	1400	8.50	225	●	●	○	○	●	○	○	○	
1700	7.00A		100	1400	7.90	110	●	●	○	○	○	○	○	○	
1800	8.00A		100	1400	6.40	121	●	●	○	○	○	○	○	○	
2100	10.00A		100	1400	3.95	196	●	●	○	○	○	○	○	○	

Note: (1) Permissible continuous operating current is ≤100% at ambient temperature of 23°C (73.4°F)  
(2) The cULus and cURus certification by 125V and 250V; the others certification by 250V.  
(3) The current values used for calculating I<sup>2</sup>t should be within the standard range of 8ms ~ 10ms.

## Ordering Information

Series	Amp Code	Supplementary Code	Qty
334			